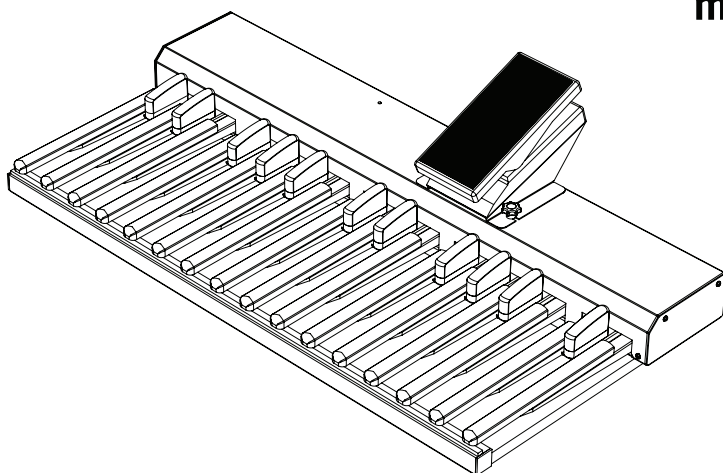


nord

pedal keys 

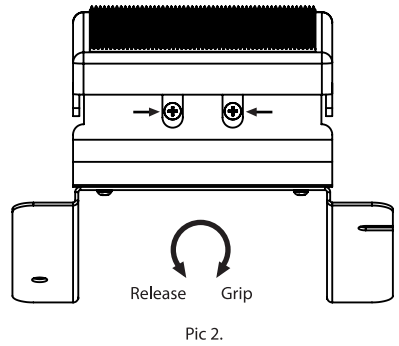
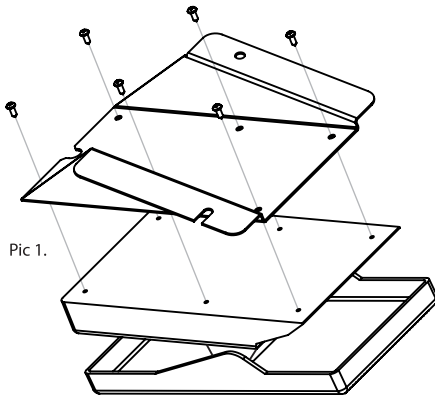
**User
manual**



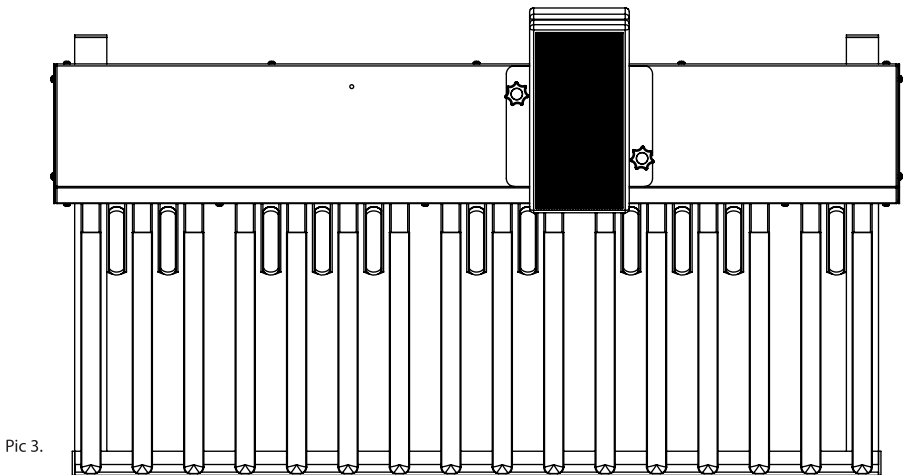
Part No. 50340

ASSEMBLY AND CONNECTION INSTRUCTION

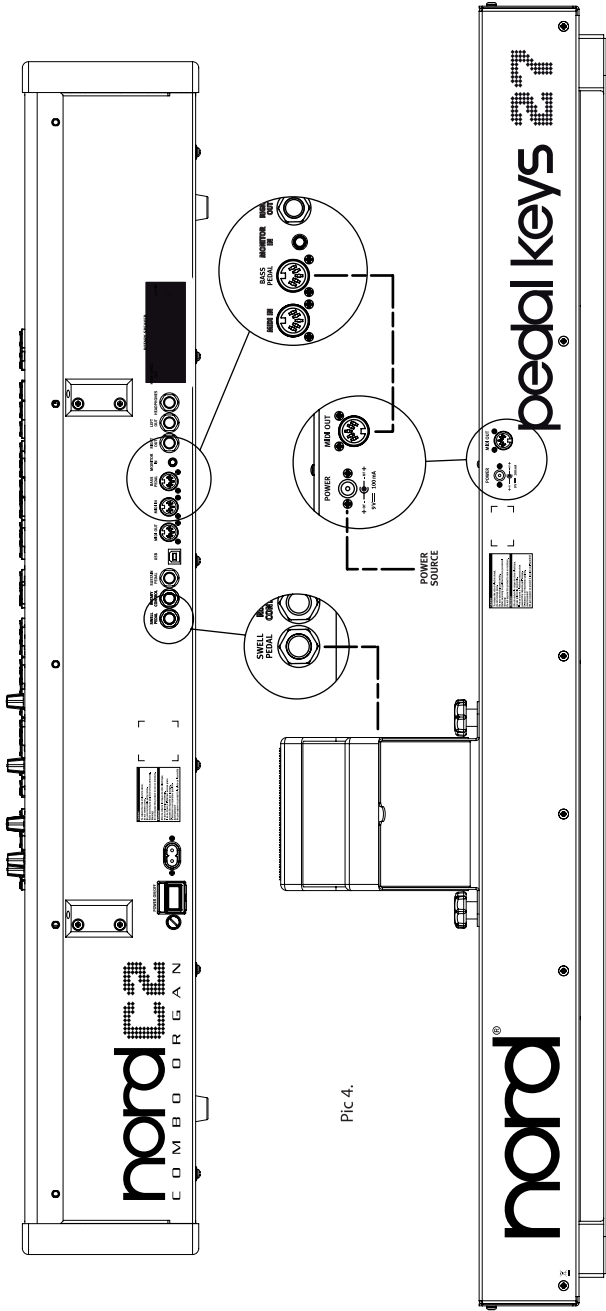
1. Assemble the swell pedal to the angle bracket by using the included screws, according to Pic. 1.
2. Change the friction of the pedal if needed by using the two screws at the rear of the pedal until desired friction is reached. Turn anti-clockwise for less and clockwise for more friction. NOTE: Do not remove the screws.



3. Mount the swell pedal assembly on top of the pedal board and tighten the star knobs.



3. Connect the cables according to the illustration below.



Pic 4.

INFORMATION:

- MIDI NOTE RANGE: C2-D4 (36-62)
- MIDI CHANNEL: 3
- POWER INPUT: 9V \equiv 100mA
- POWER POLARITY: REVERSIBLE

General Specifications

- 27 keys, range C2 to D4 (MIDI note 36 to 62)
- Transmitting MIDI Channel: 3
- Swell pedal resistance: 10 kOhm
- Swell pedal cable length: Approximately 2000 mm (78.7")

Dimensions

- 1055 (41.5") x 320 (12.6") x 620 (24.4") mm (W x H x D), with the swell pedal mounted in place.

Weight

- 15,5 kg (34lbs)

Included Accessories

- Assembly manual
- MIDI cable
- Power adapter, 9 volt DC

Optional Accessories

- Nord Pedal Keys 27 Soft Case